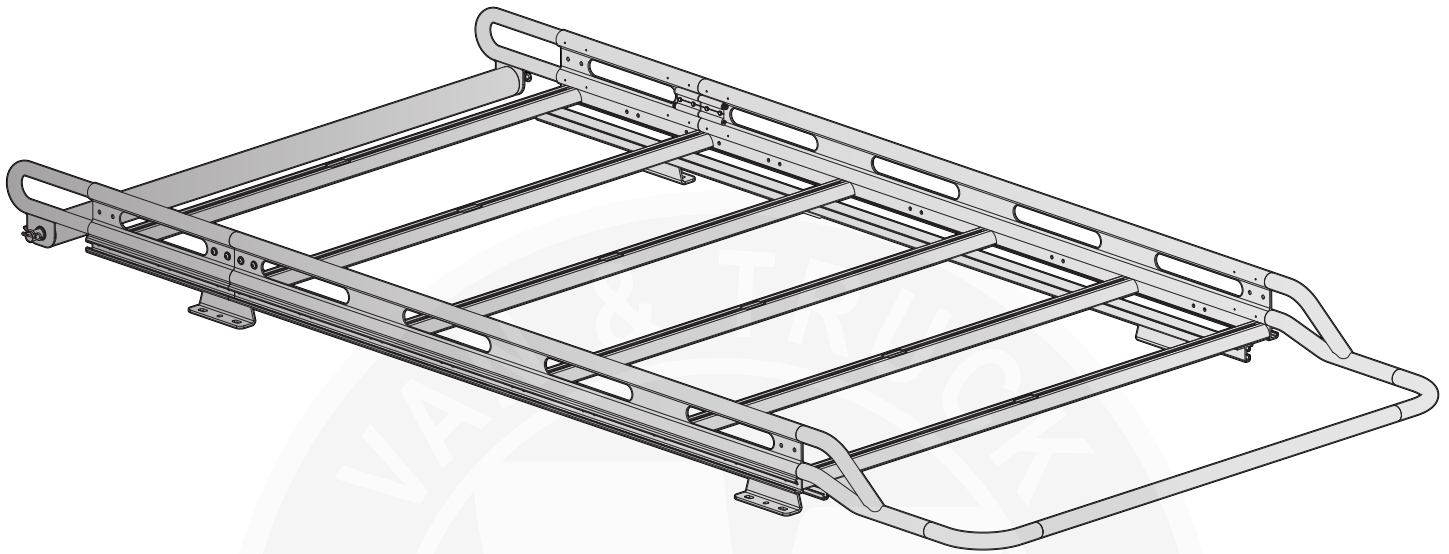




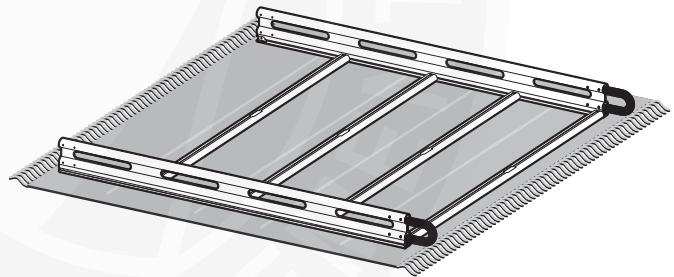
**Van & Truck  
Cargo System**

Vantech USA www.vantech.com



### PRODUCT INFO

Part #:	H1817EB01B
System:	H2.1 Series
Material:	Aluminum
Fitment:	Ford Transit Connect 2014-Current
Trim:	LWB
Color:	Black



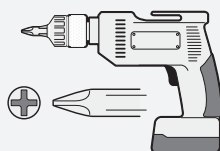
**To prevent damage  
install rack over a  
carpet or cardboard**

### REQUIRED TOOLS

1/2"  
Wrench



Power Tool w/  
Phillips Head



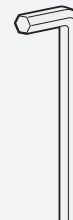
5/32"  
Allen Key



3/16"  
Allen Key

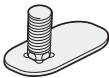
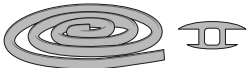

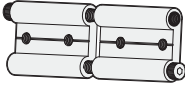
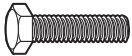
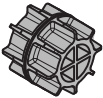

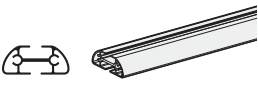

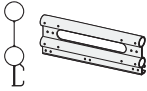

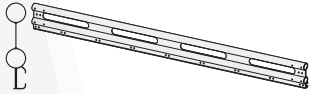



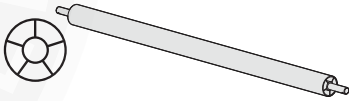

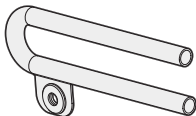

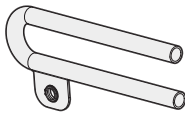
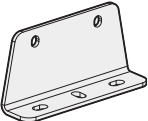
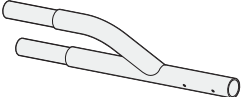
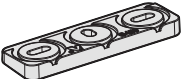





1/4"  
Allen Key



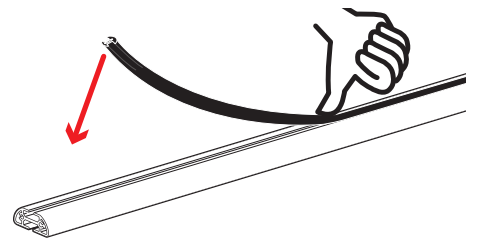
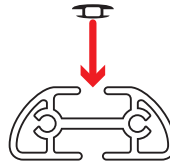
Rubber  
Mallet



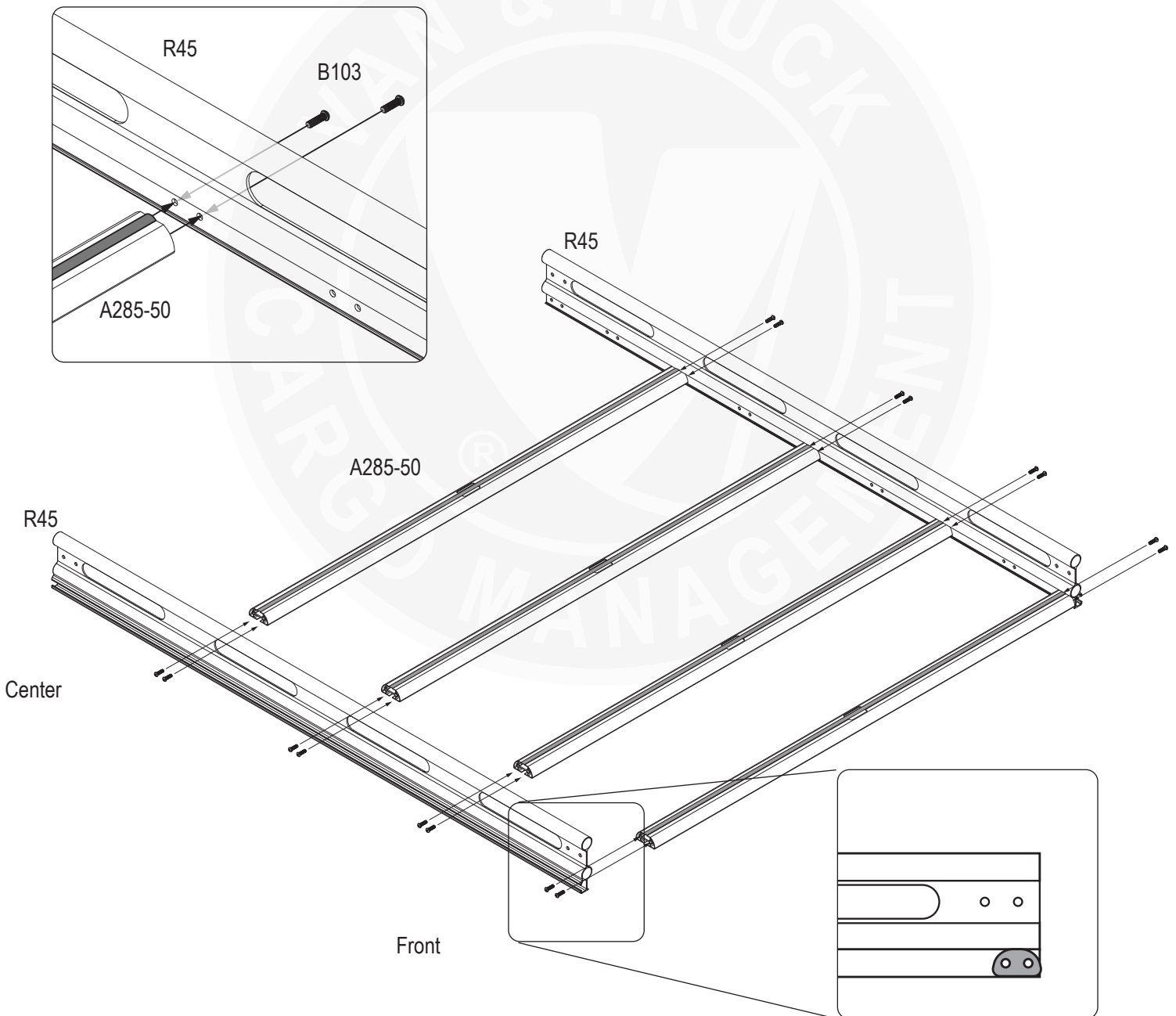
ITEM	INFO	QTY	ITEM	ITEM	INFO	QTY	ITEM
S051	5/16" SINGLE BOLT SLIDER	12		BG549	RUBBER BAR GUARD	8	
S063	5/16" DOUBLE SLIDER (2.5" BOLT TO BOLT)	4		H202	H2 CONNECTOR	2	
B068	5/16" X 13/4" HEX BOLT	4		H203	CONNECTOR GUIDE	4	
G408	FOAM WASHER	4		A285-50	2.25" X 1" X 50" CROSS BAR	6	
W008	5/16" X 3/4" WASHER	36		R42	15.75" CARGO RAIL	2	
W022	5/16" LOCK WASHER	32		R45	63" CARGO RAIL	2	
N002	5/16" NUT	24		A564-32	H2 TRACK 31.5"	4	
B103	1/4" X 1" BUTTON HEAD ALLEN BOLT	24		A324-49	49" ROLLER	1	
B115	5/16" X 1.2" BUTTON HEAD ALLEN BOLT	8		A33D	DRIVER SIDE ROLLER U-BRCE	1	
B201	TAP SCREW	16		A33P	PASSENGER SIDE ROLLER U-BRACE	1	
H63	MOUNTING BASE	4		A620-70	CANTILEVER (E)	2	
G455	PLASTIC SEAT	4		A624-39	39" CONNECTING BAR	1	
G100	RUBBER SEAL	4		C06	6" ELBOW	2	

## RUBBER BAR GUARD

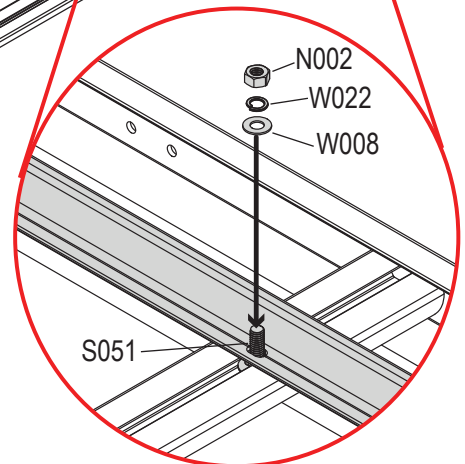
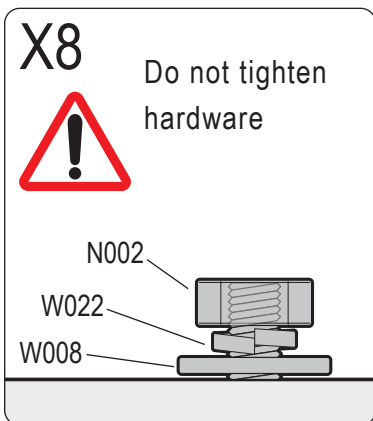
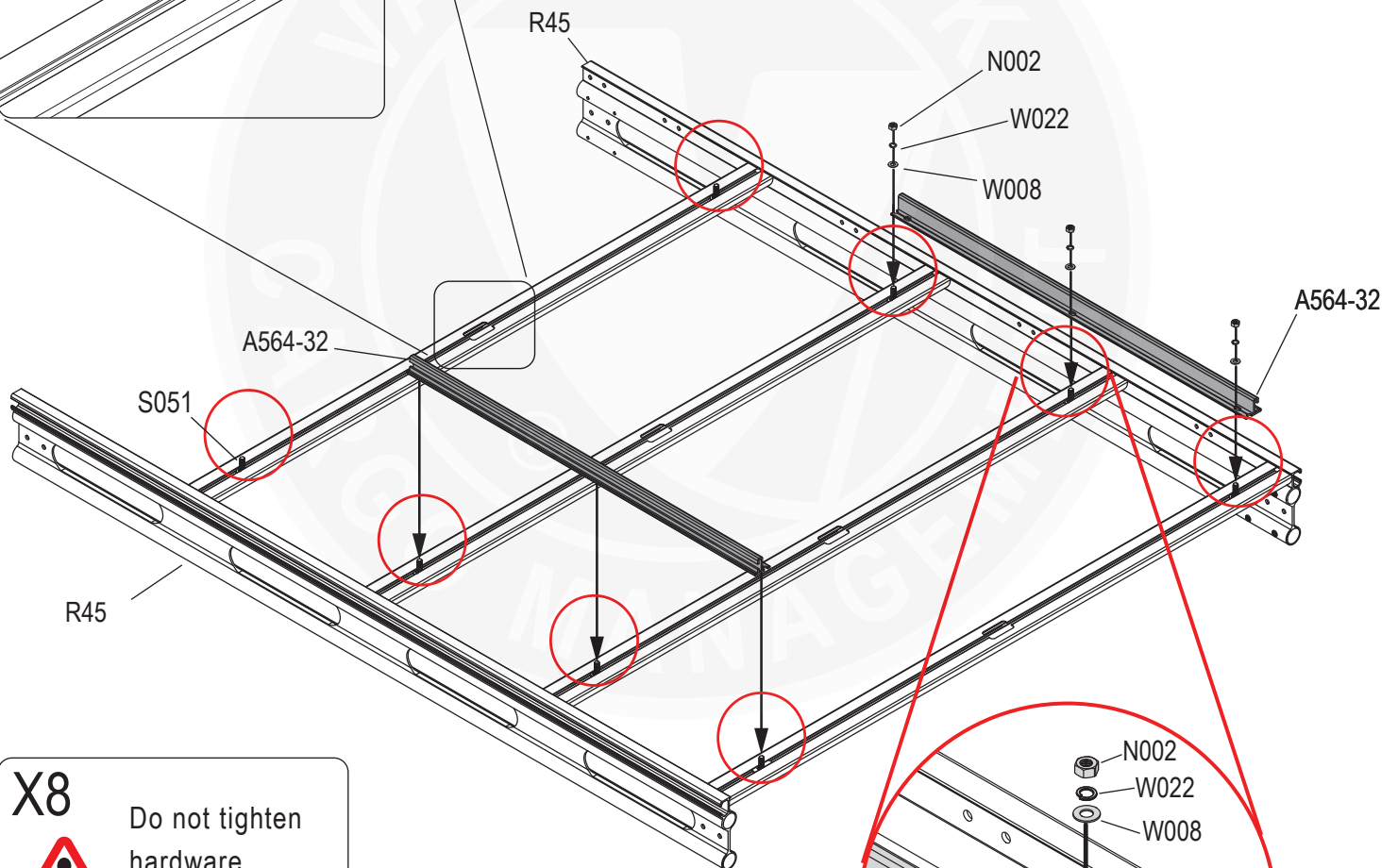
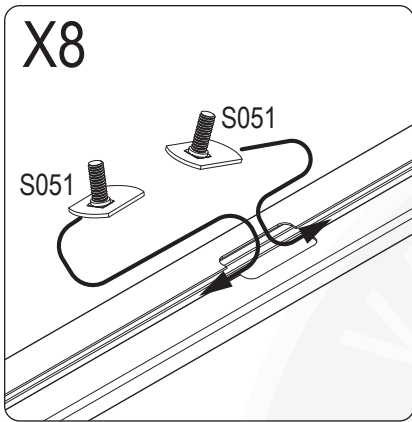
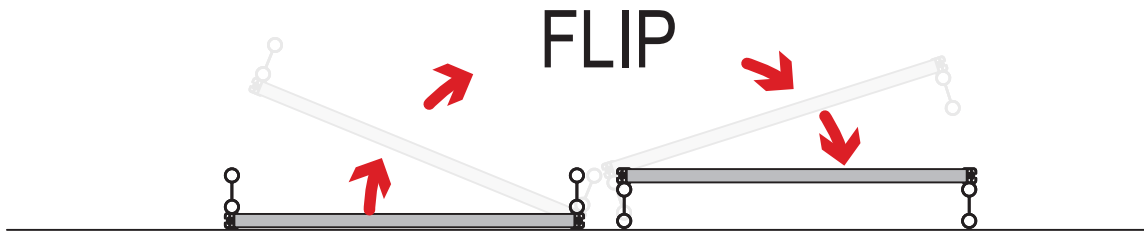
- Press the rubber bar guard into the channels of cross bars
- The 2 extra bar guards are installed under the first 2 cross bars



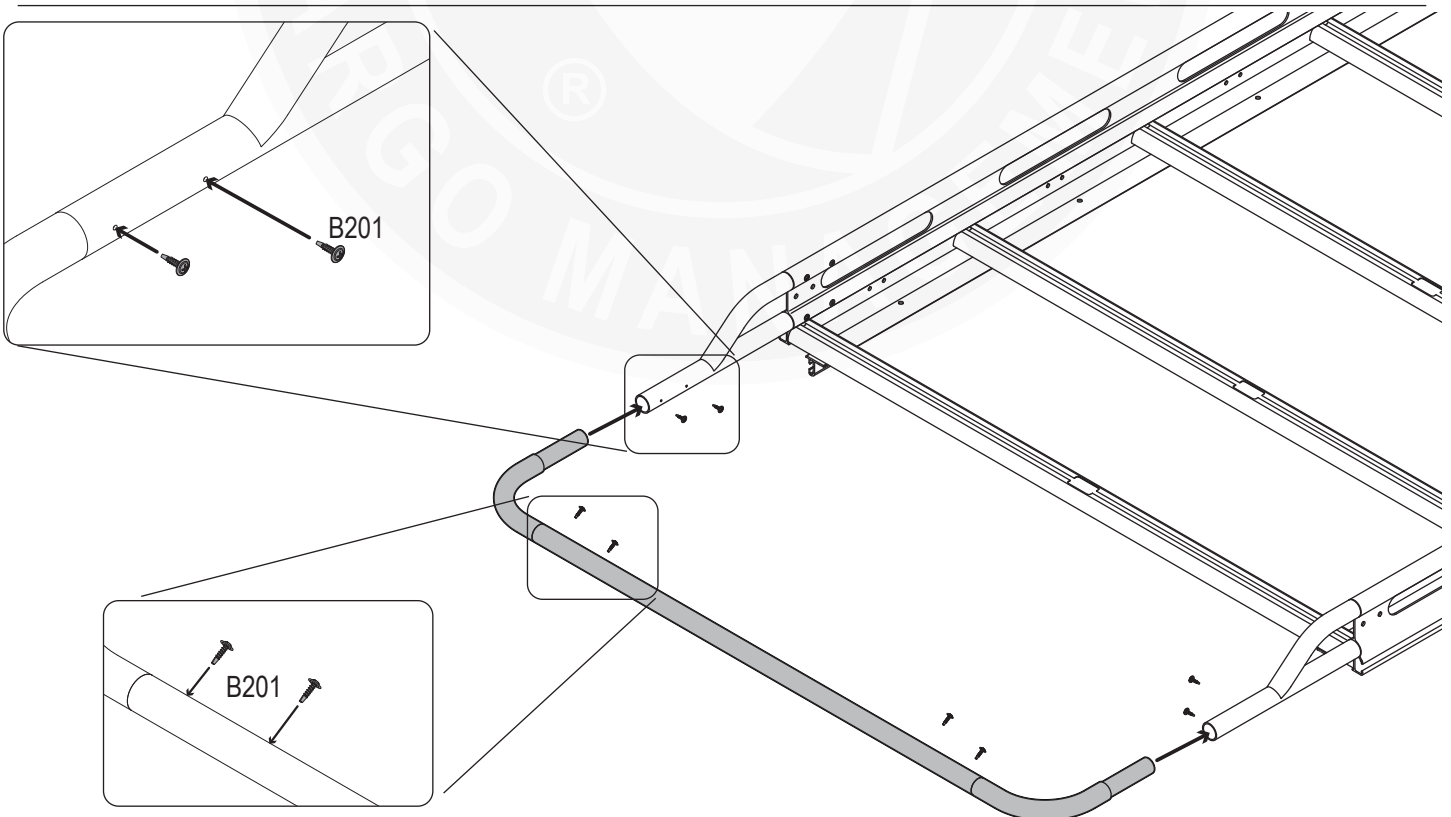
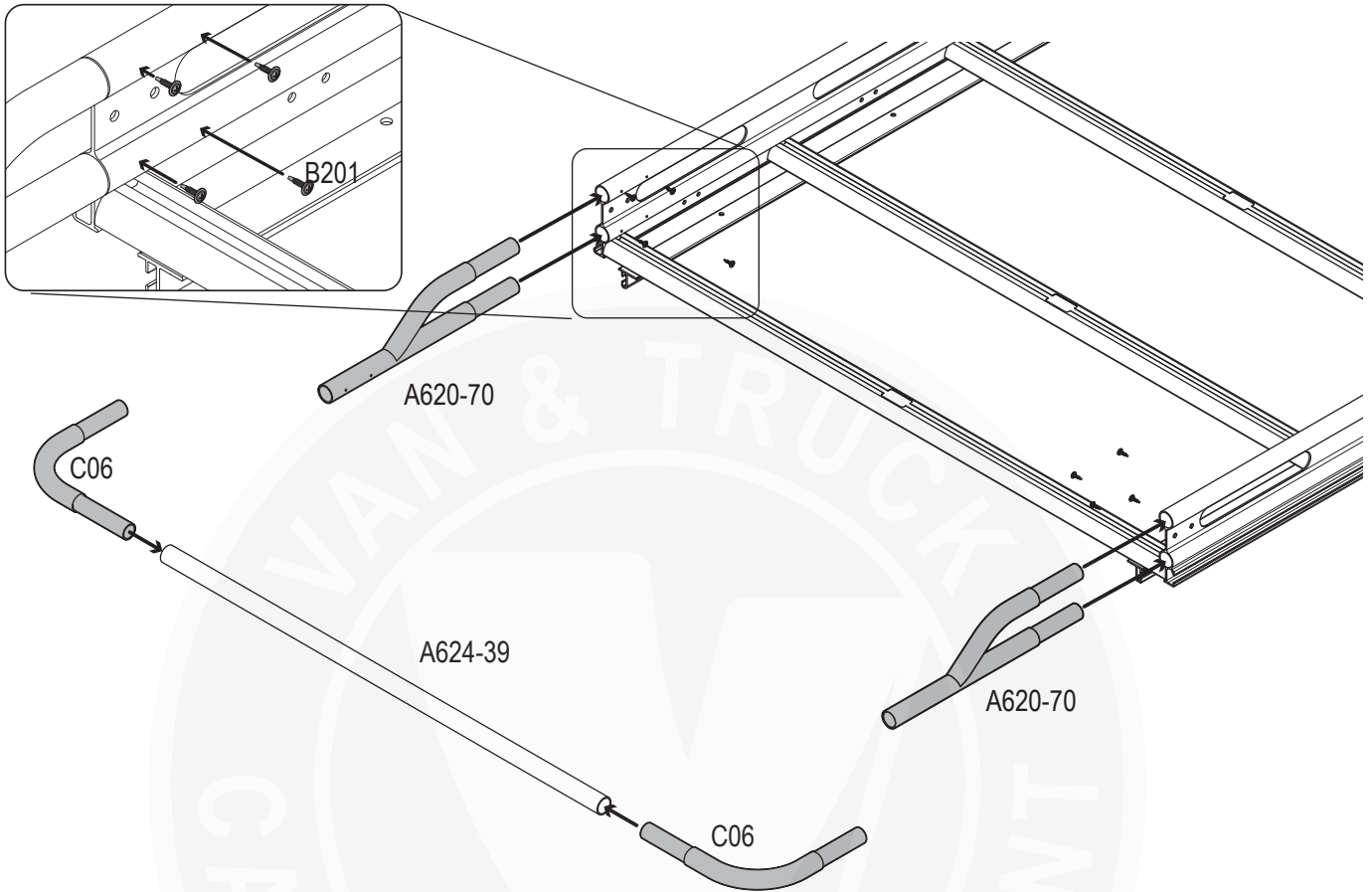
# Section 1



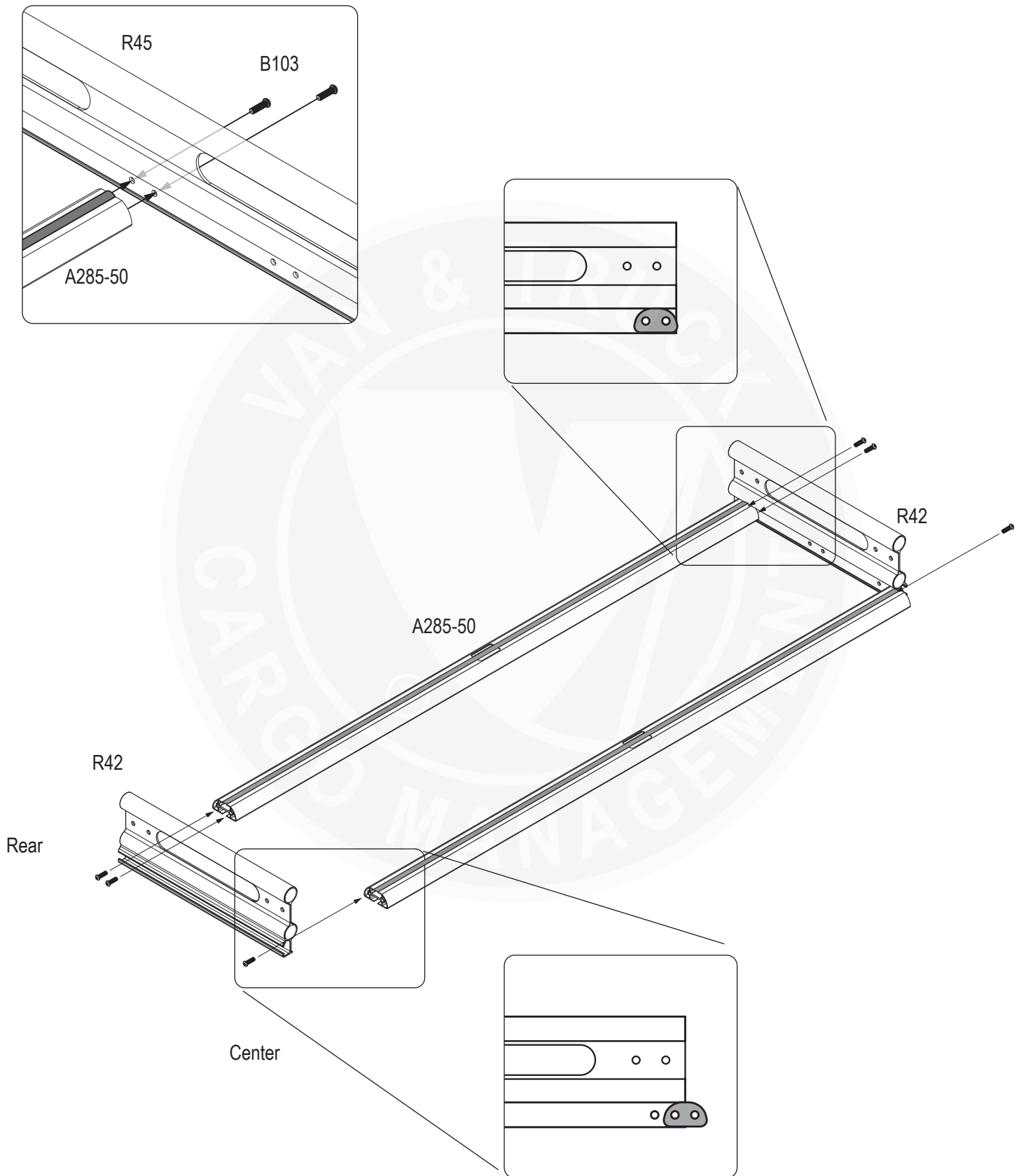
# Section 1



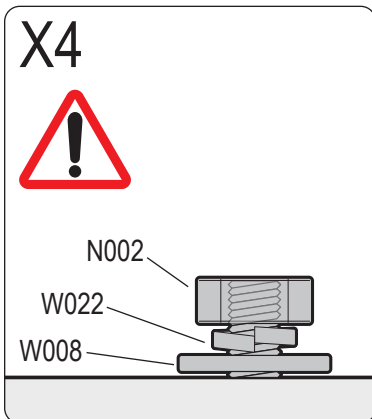
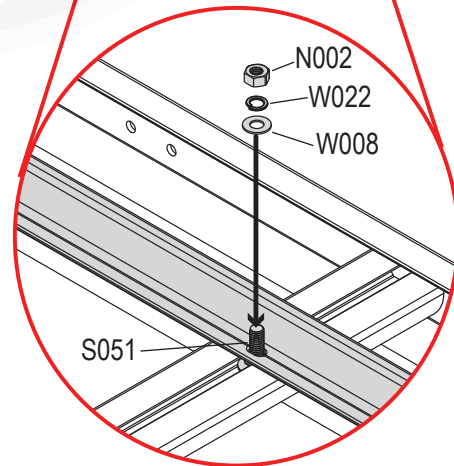
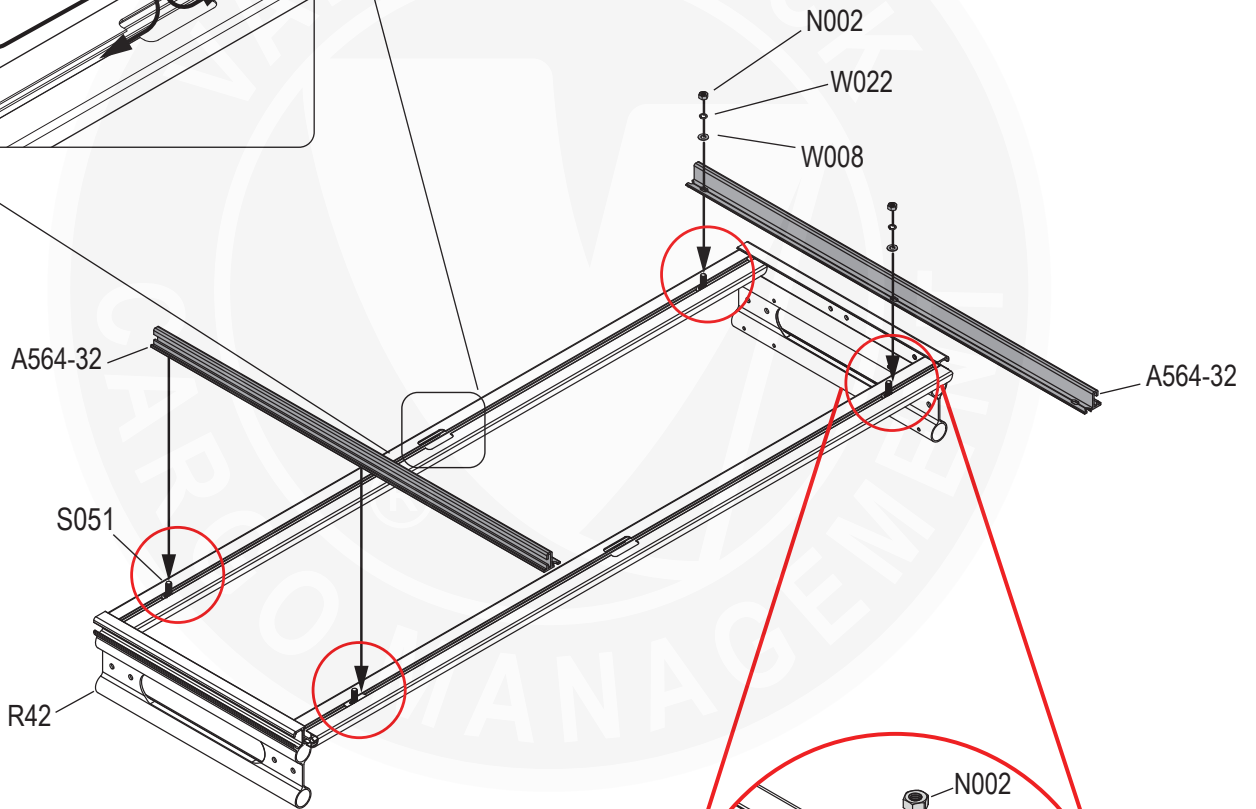
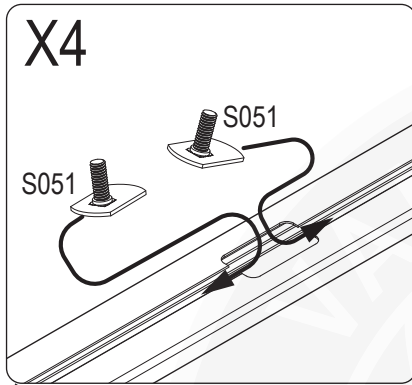
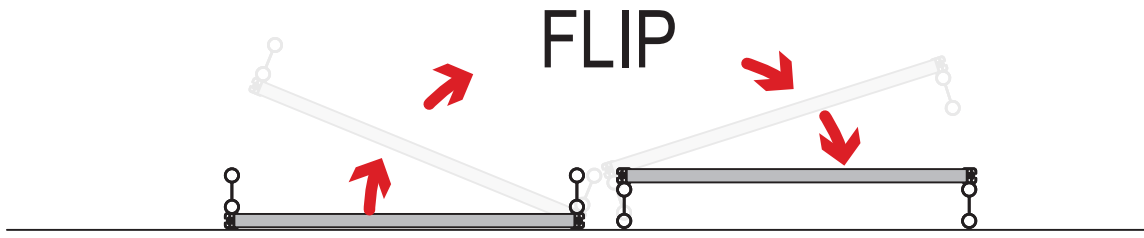
# Section 1

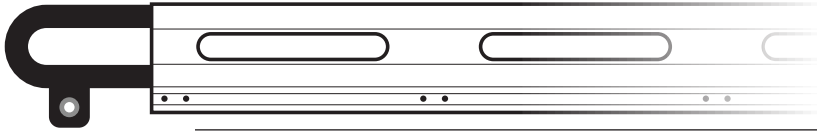


# Section 2

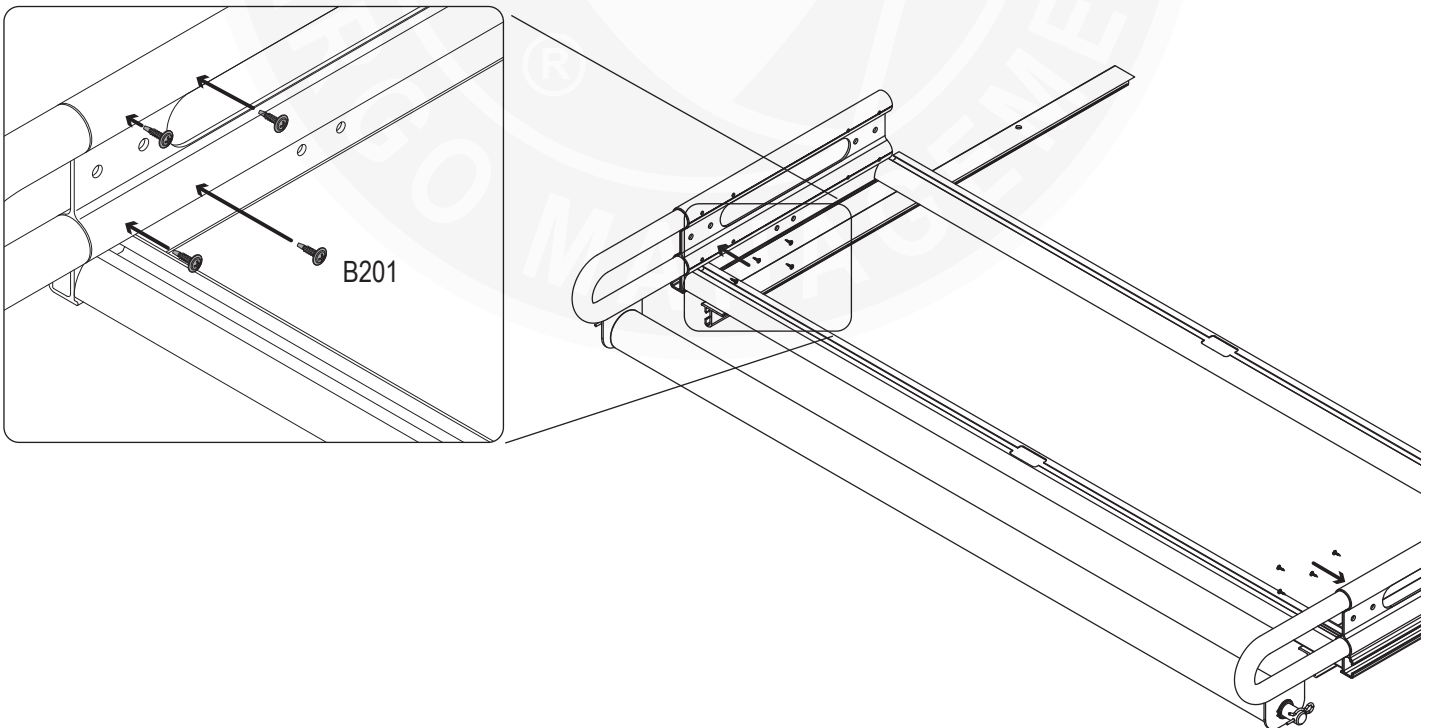
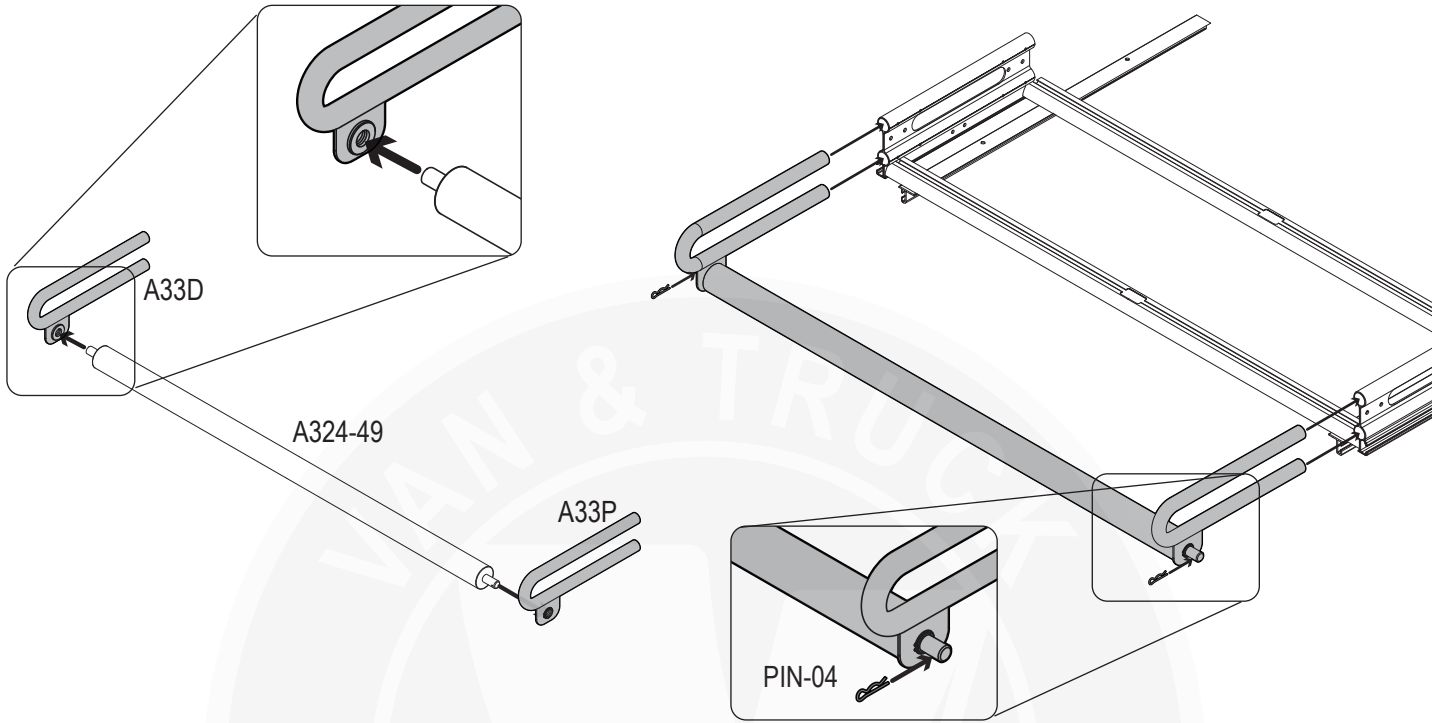


# Section 2

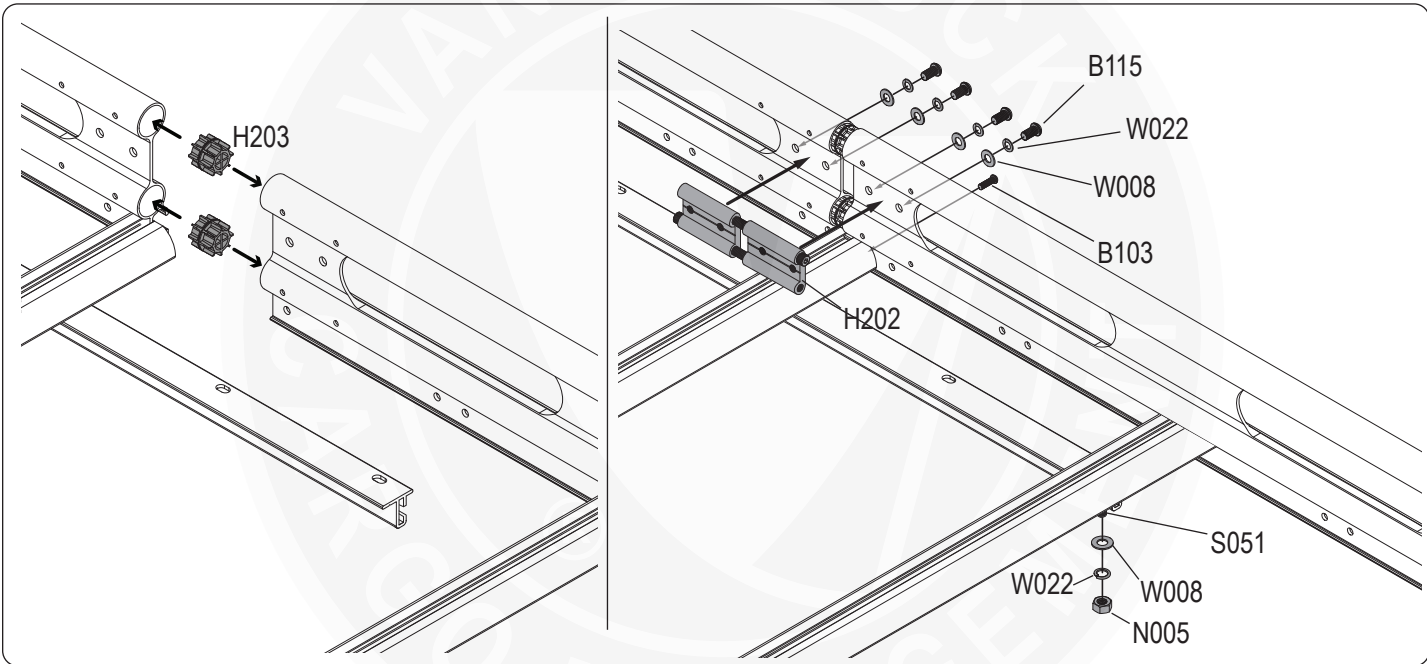
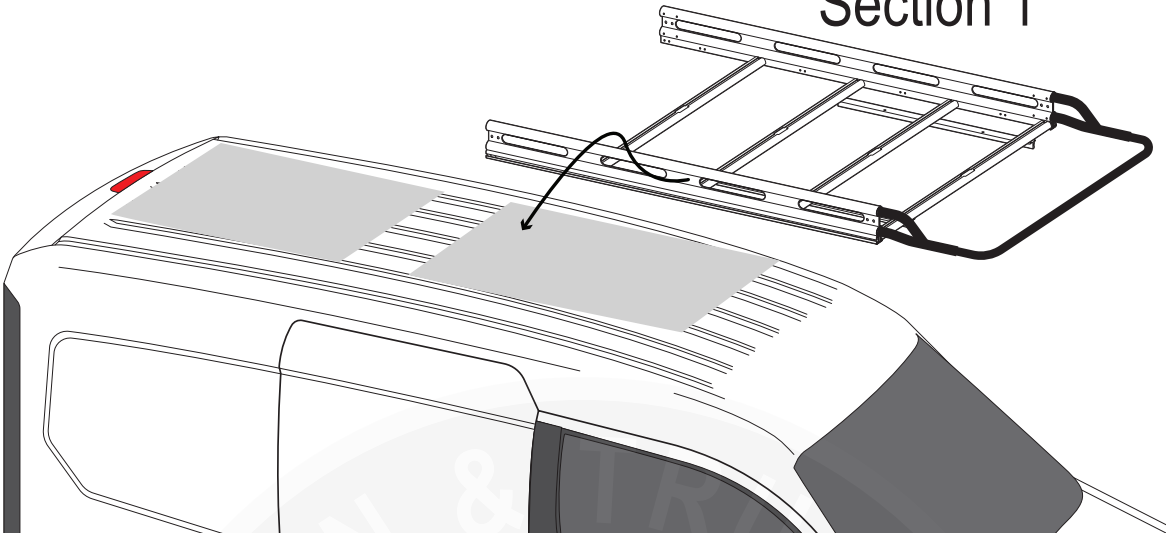




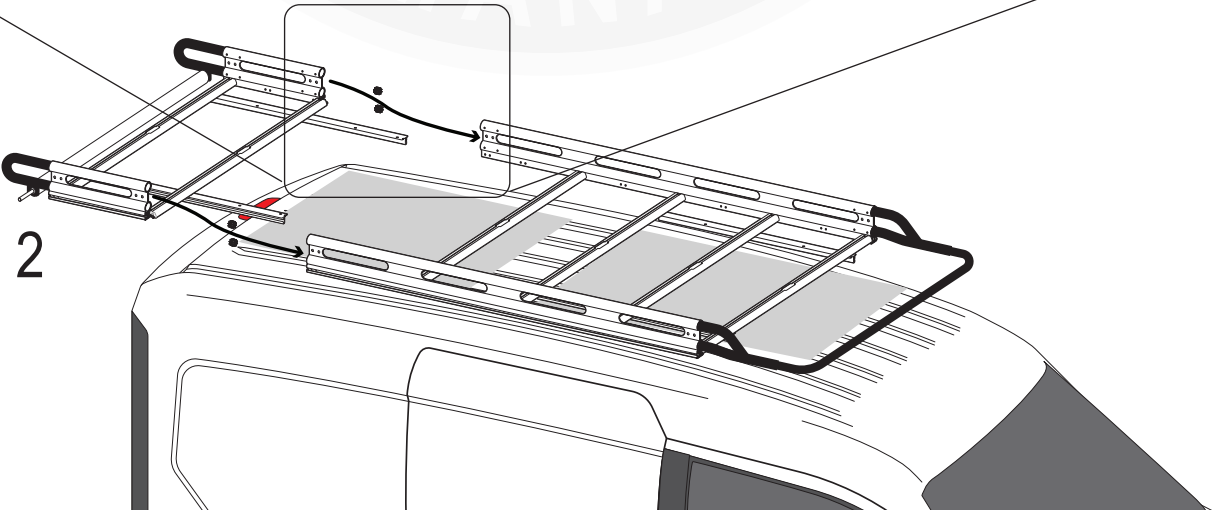
# Section 2

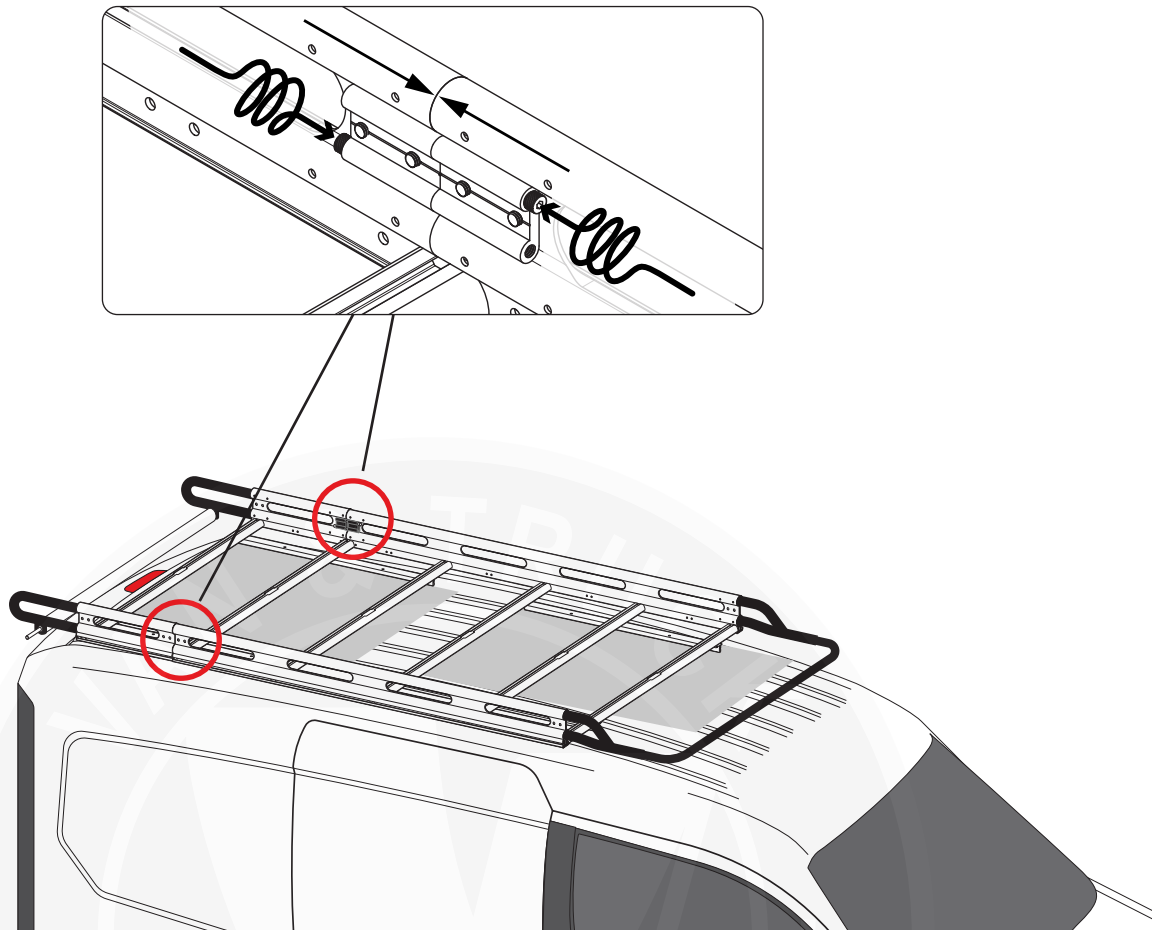


# Section 1



# Section 2





Slide S063 along A564 tracks to their mounting positions

