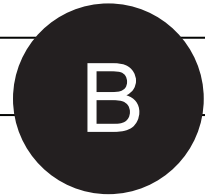


# Warehouse Use Only

---

Part #	QUANTITY
D102	1
P131/P132B	2
A416B	4
A286-65B	2
G313	4
Z286	4
A20	4

Part #	P3051B
Weight	41.57
Plus/Minus	0.00
Ex Dimensions:	9 X 7 X 66
Box 1	DA
Box 2	0.00







## Van & Truck Cargo System

Vantech USA www.vantech.com



### PRODUCT INFO

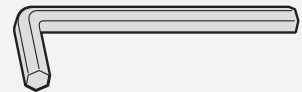
Part #: P3051B  
System: P3000  
Material: Aluminum  
Fitment: Pickup (Drilling Required)  
Color: Black

### REQUIRED TOOLS

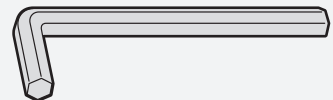
9/16" Wrench



3/16" Allen Key Wrench

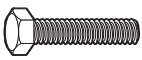

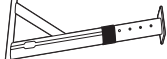
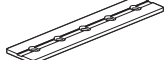




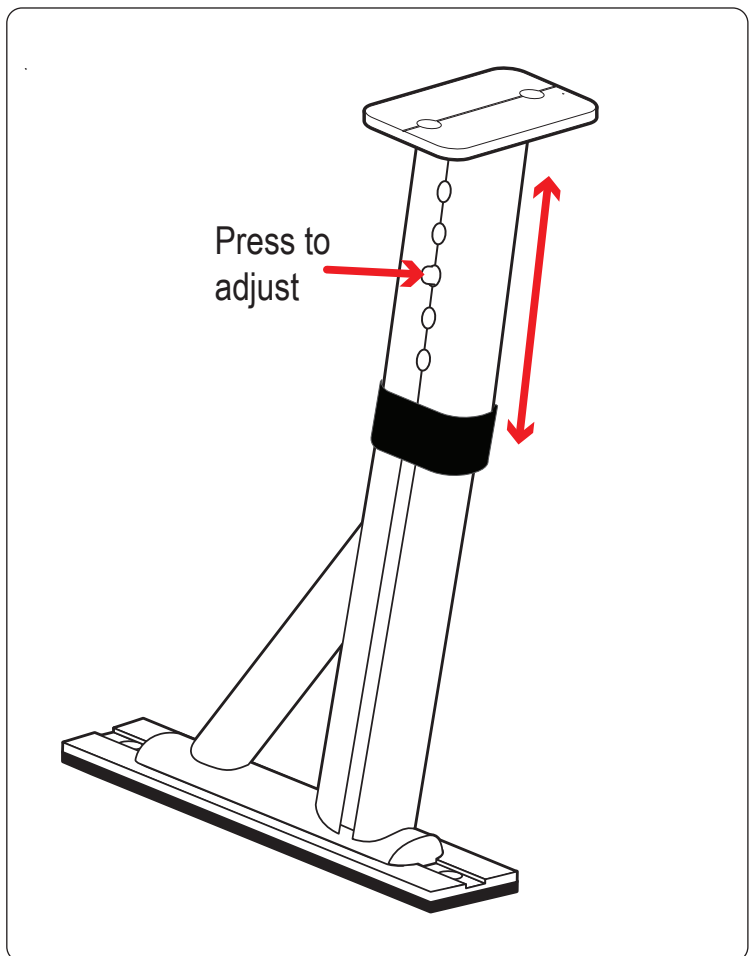
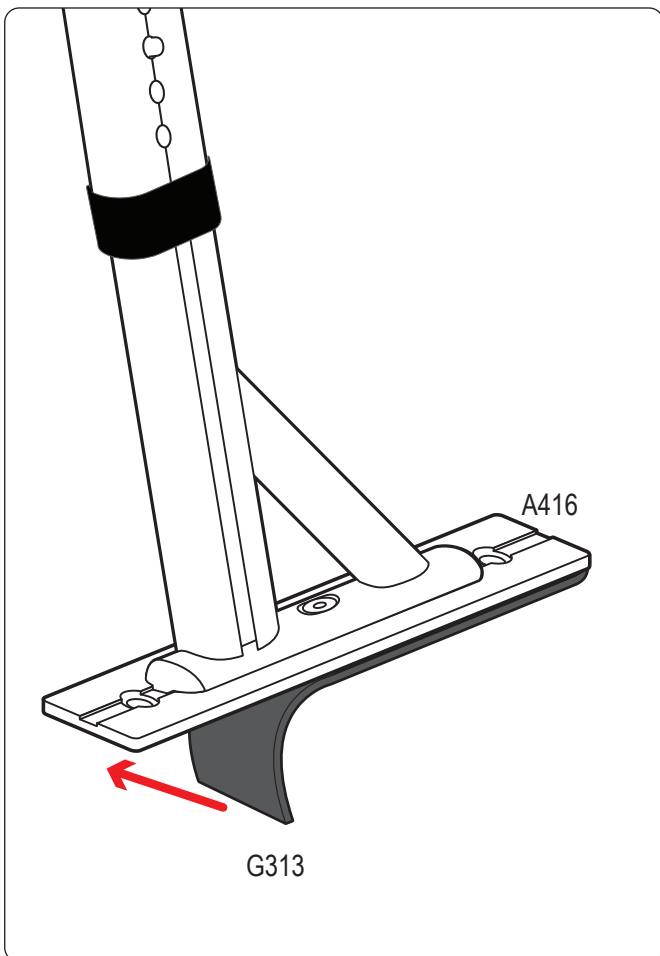
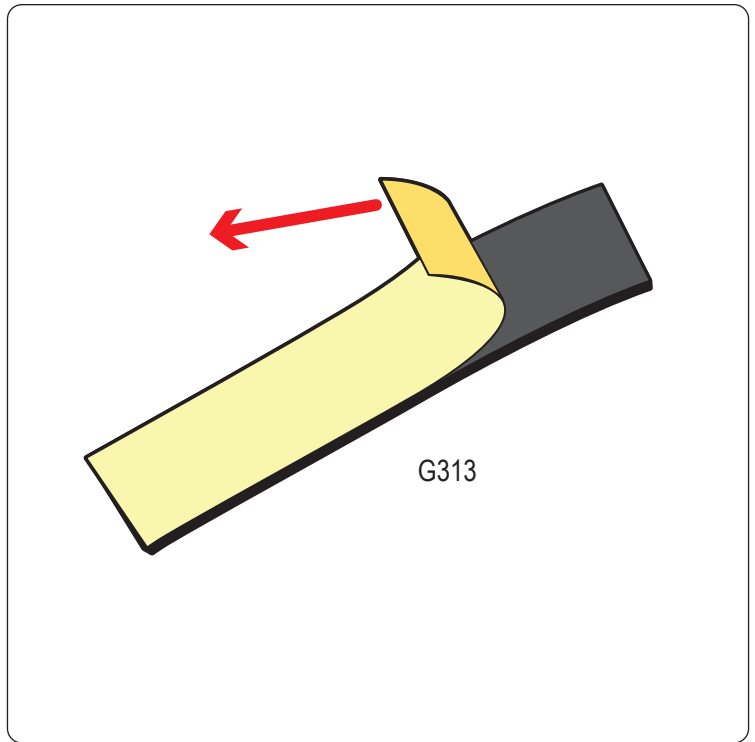
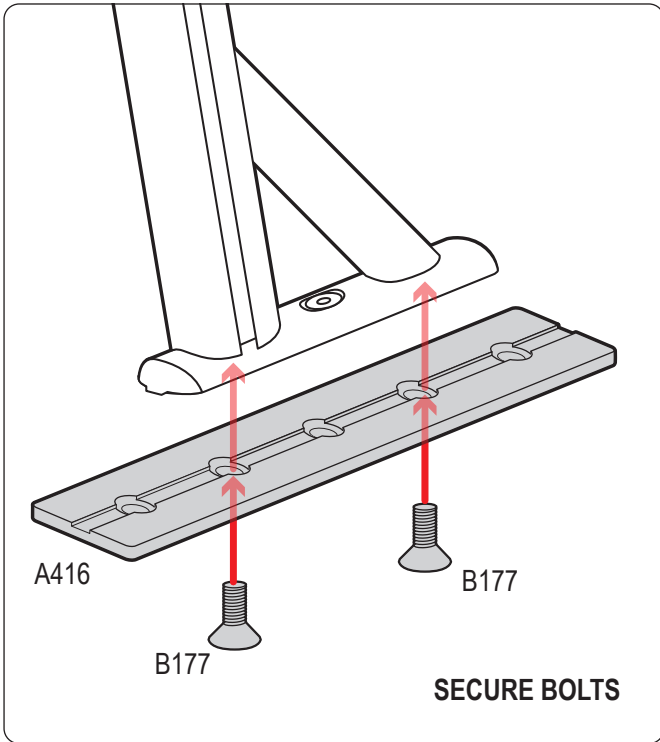
7/32" Allen Key Wrench

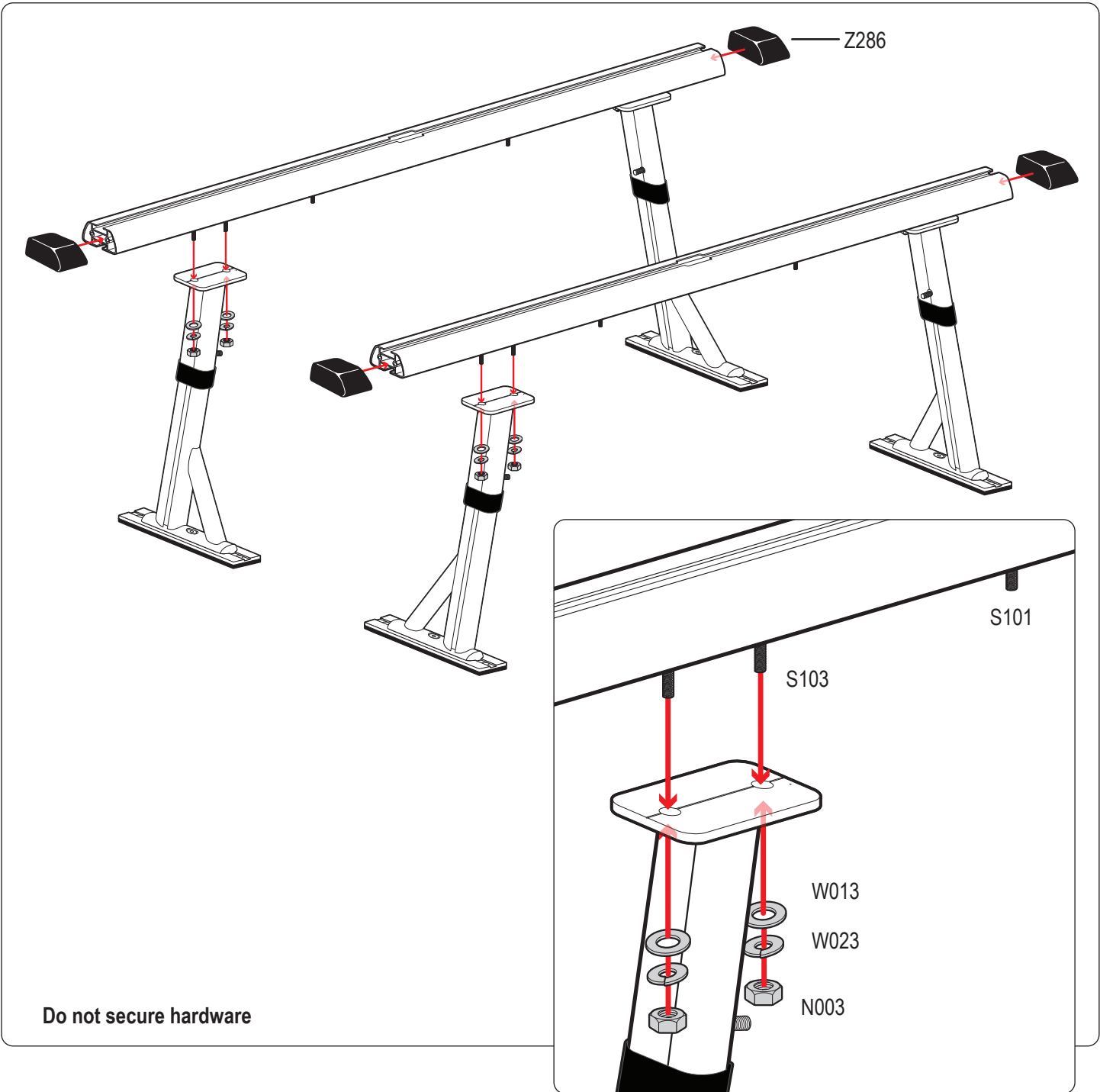
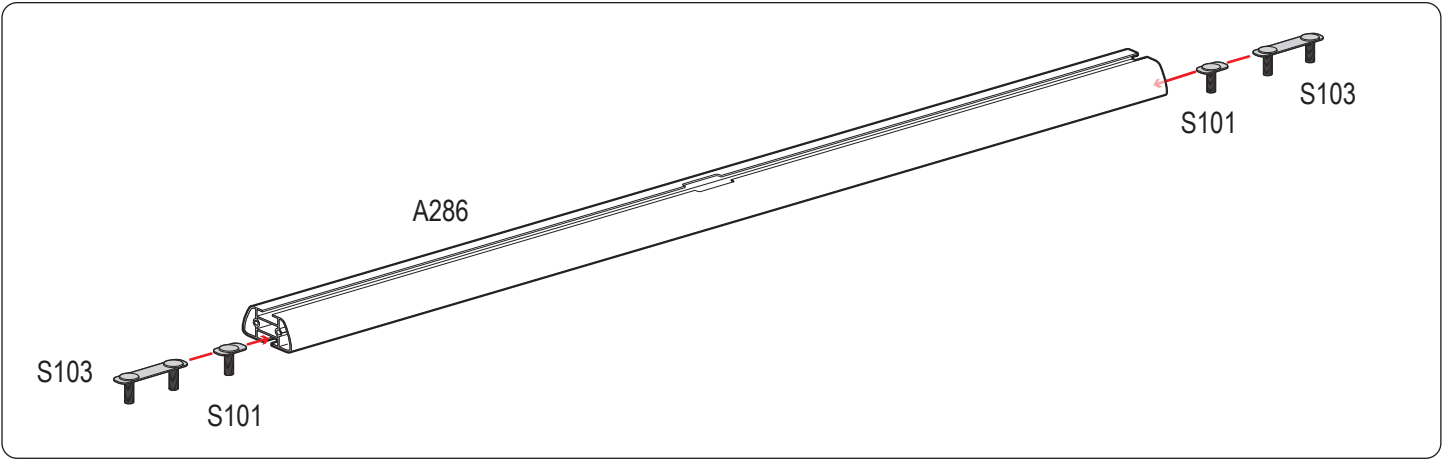


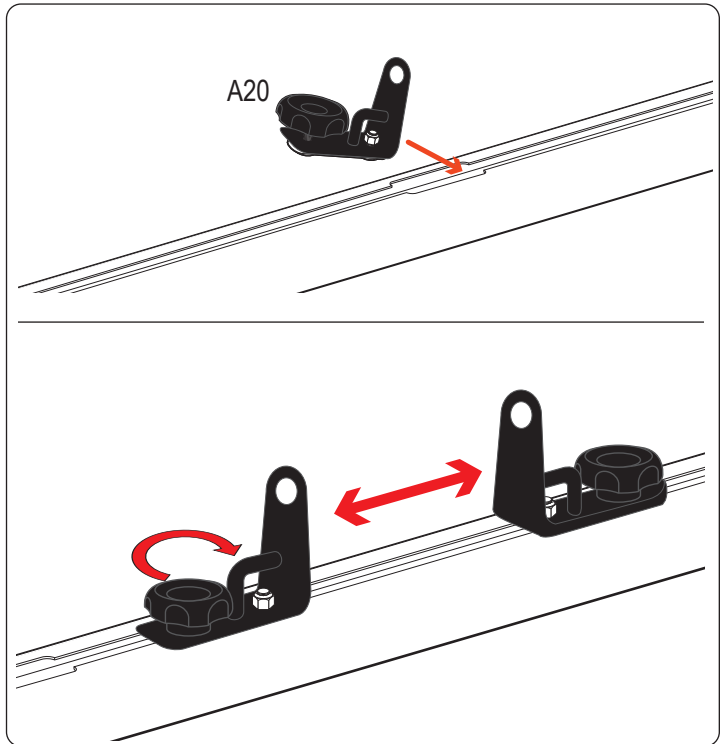
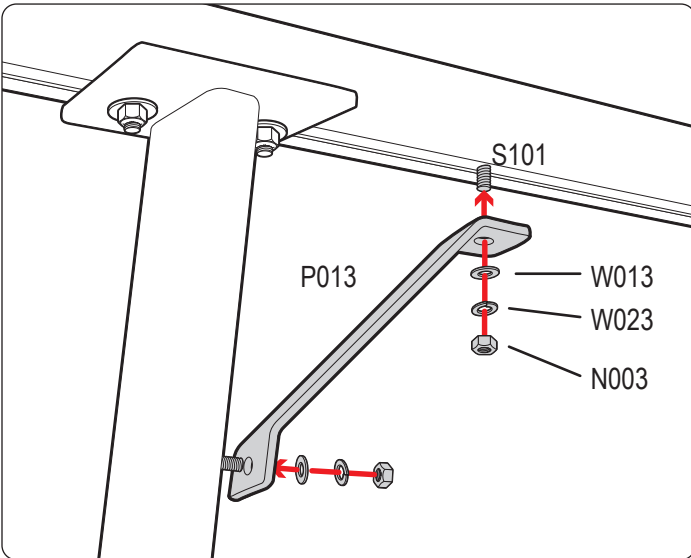
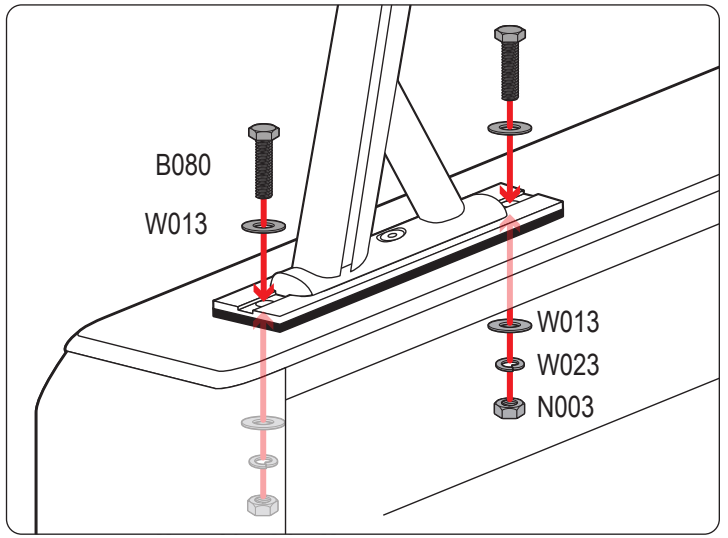
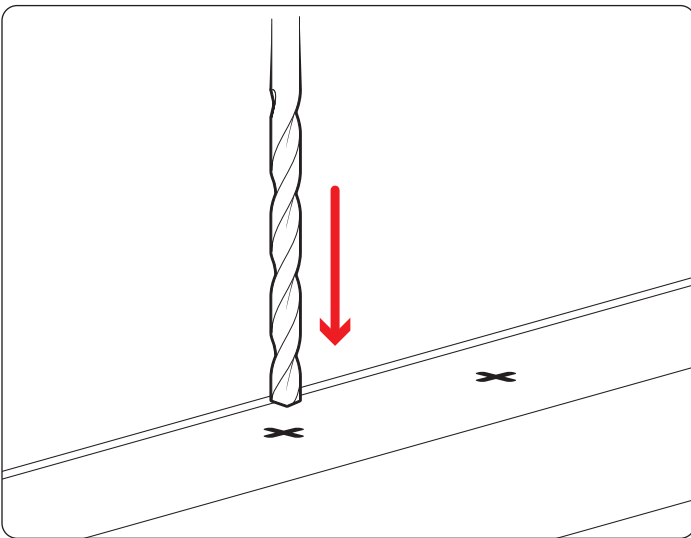
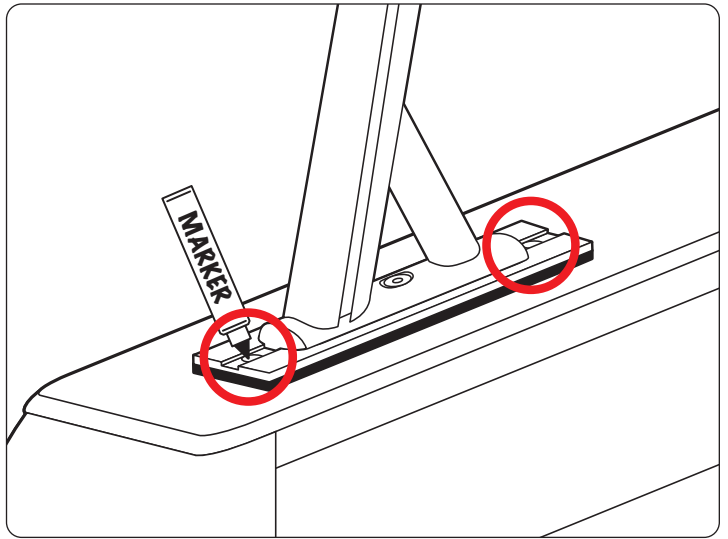
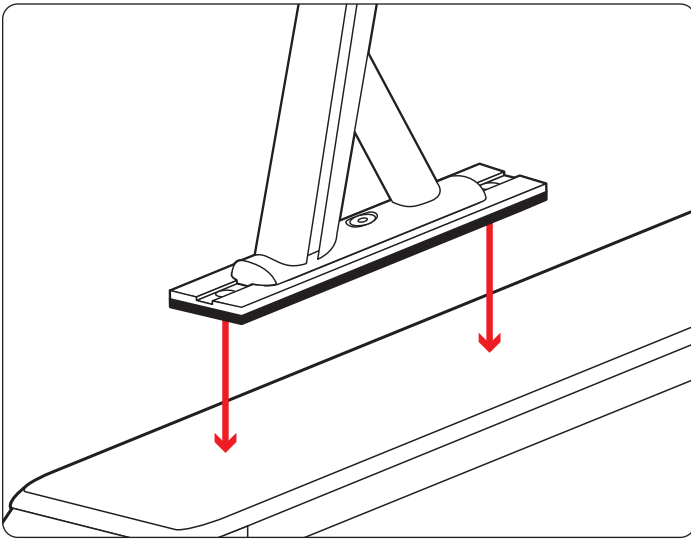
Marker



PART #	DESCRIPTION	QTY	ITEM ITEM NOT DRAWN TO SCALE
S101	3/8" SINGLE SLIDER (LENGTH 1")	4	
S103	3/8" DOUBLE SLIDER 3"	4	
B080	3/8" X 1 1/2" HEX BOLT	8	
B177	3/8" X 3/4" COUNTERSUNK BOLT	8	
N003	3/8" NUT	24	
W008	5/16" X 3/4" WASHER	4	
W013	3/8" X 3/4" WASHER	32	
W023	3/8" LOCK WASHER	24	
P131	ADJUSTABLE" UPRIGHT L	2	
P132	ADJUSTABLE" UPRIGHT R	2	
A416	ADAPTOR PLATE	4	
P013	ANGLED BRACE	4	
A286-65	3" X 1.5" X 65" CROSS BAR	2	
G313	2" X 13" GASKET	4	
Z286	A286 ENDCAPS	4	
A20	ADJUSTABLE LADDER GUIDE	4	







-After adjusting the cross bar and uprights to align correctly and centered tightly secure all hardware.

