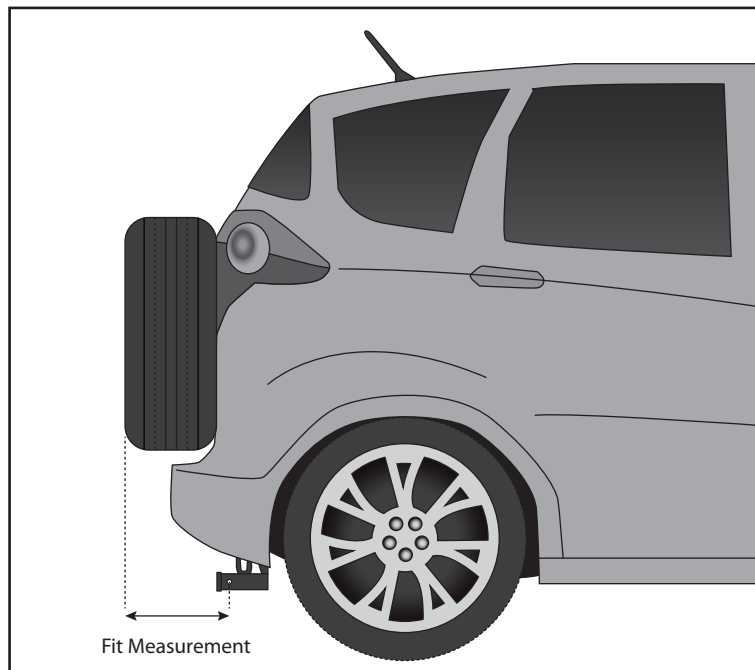
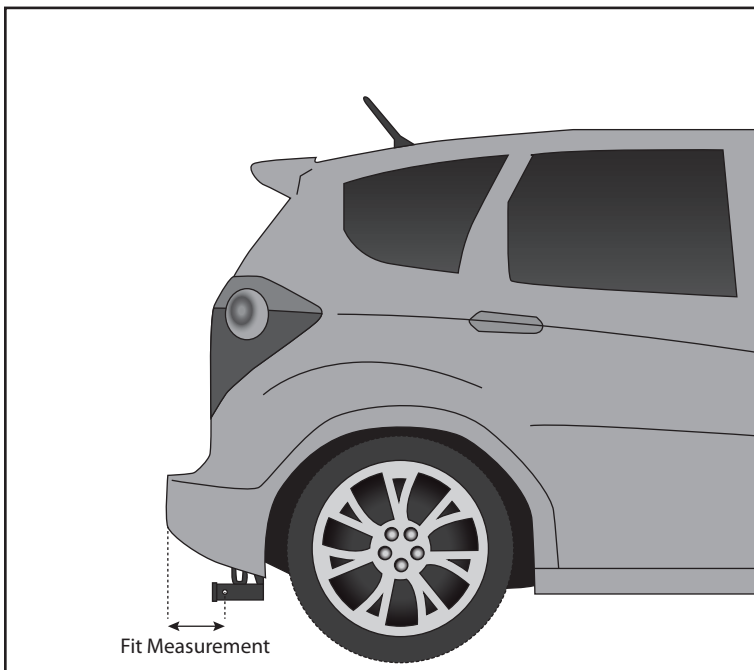
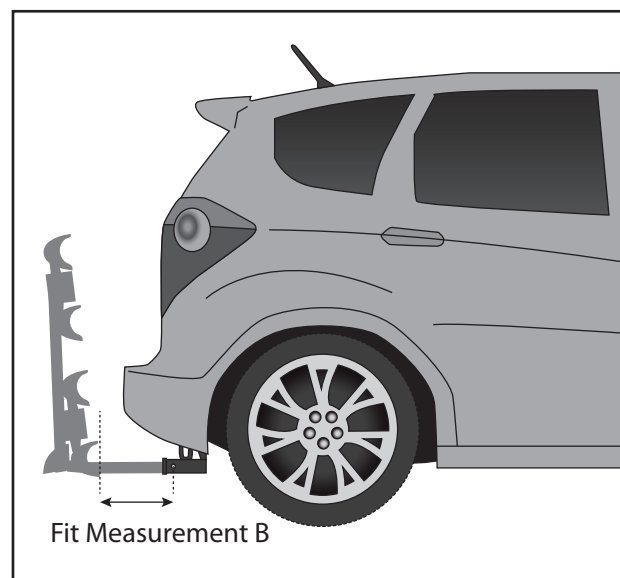
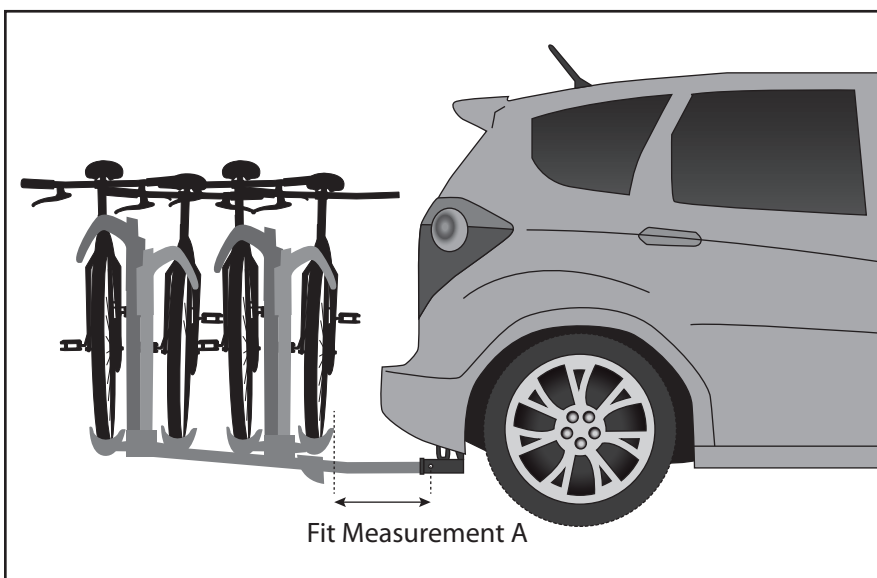


HITCH FIT MEASUREMENTS



Measure the distance from the center of hitch pin hole to the outer edge of your bumper. If you have a spare tire, measure the distance from the center of the hitch pin hole to outer edge of your spare tire. This measurement must be less than the measurements found in the chart below.



Tray Style Racks

Mast Style Racks

	Thelma	SuperClamp 2	SuperClamp 4	Freedom 2	Freedom 4	Porter	Axis Steel	Axis Aluminum
A: Hitch Pin to 1st Contact	8.5"	12"	13"	12"	14"	11.5"	9.5"	9"
B: Hitch Pin to 1st Contact (tilted)	6.5"	n/a	4.5"	n/a	10"	n/a	n/a	n/a

The chart above depicts the measurements of each rack from the center of the hitch pin hole to the first contact point on the rack (A). It also depicts the measurement of each rack when tilted for storage (B).